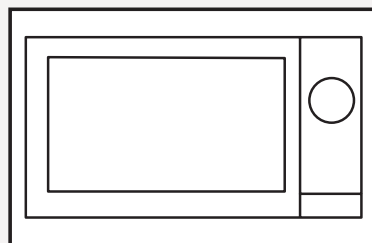


# ***Brandt***



EN - USER GUIDE

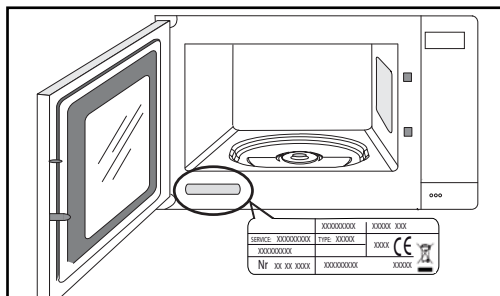
**BRANDT**  
**BUILT-IN**  
**MICROWAVE 26L**  
**315126/BMS6115B**



# 1



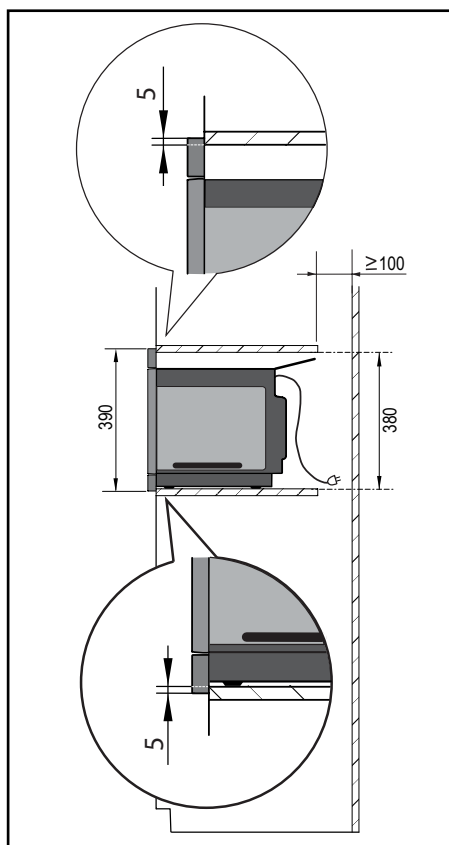
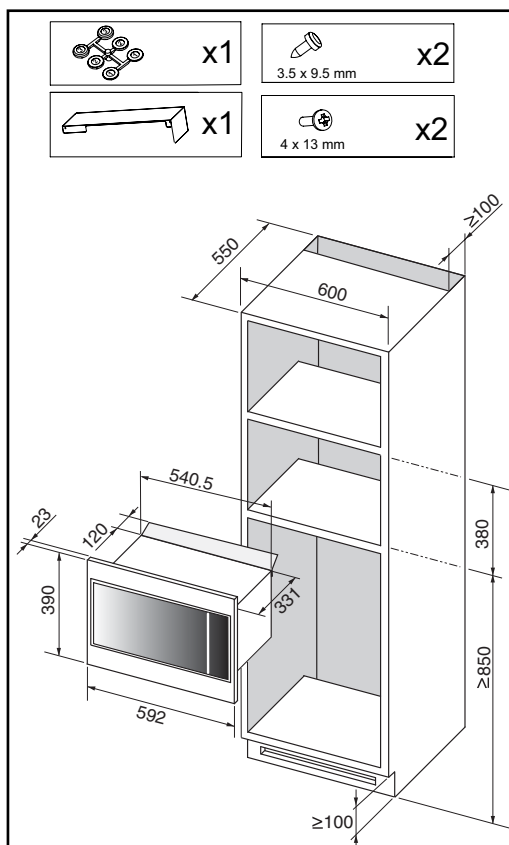
## 1.1



# 1



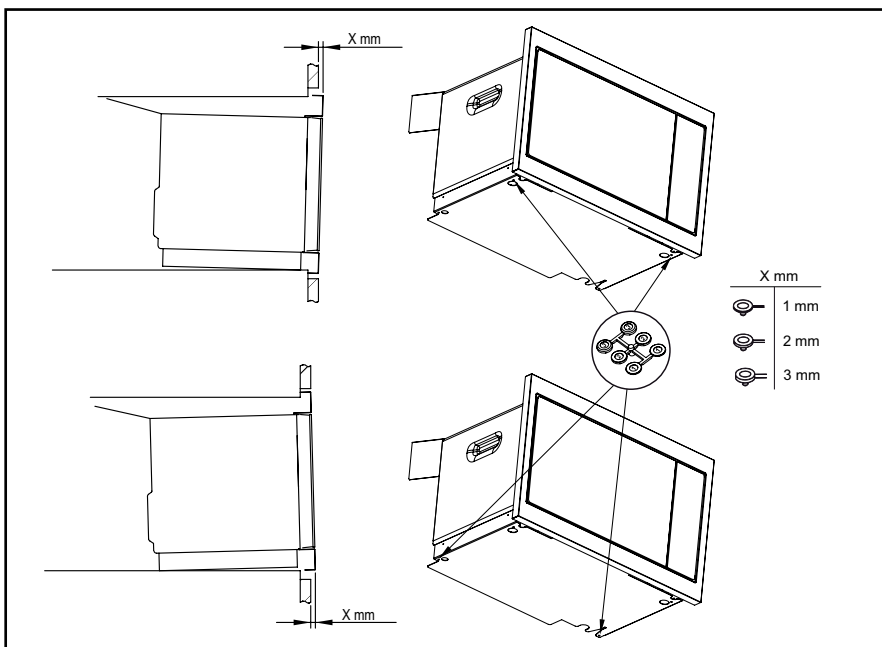
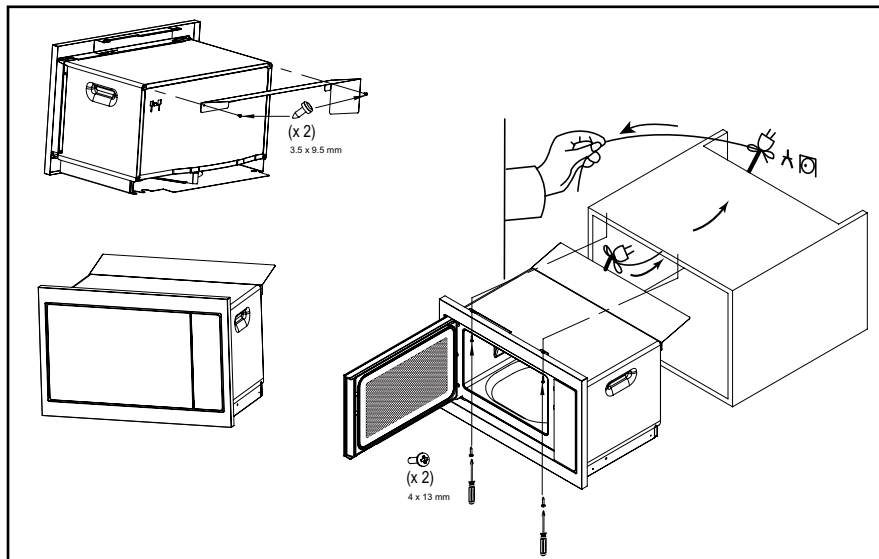
## 1.2



# 1

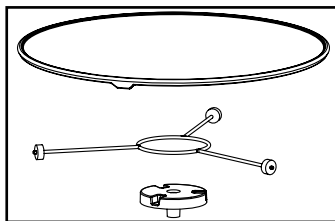
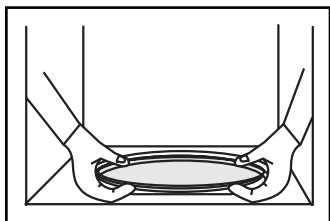


## 1.3



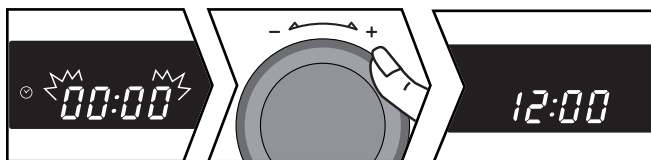
## 2

2.1

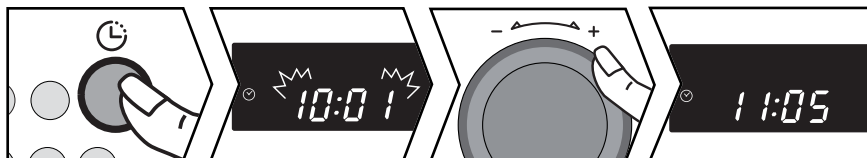


## 3

3.1



3.2

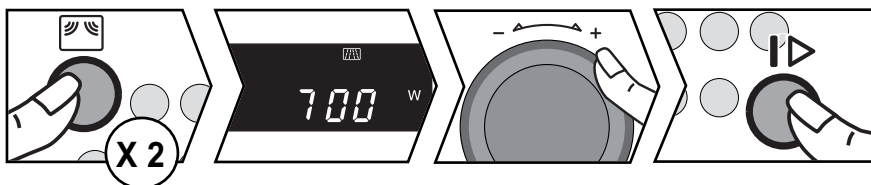


## 4

4.1

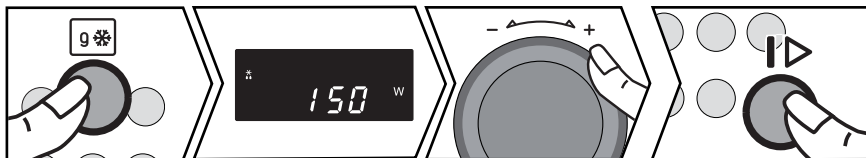


4.2

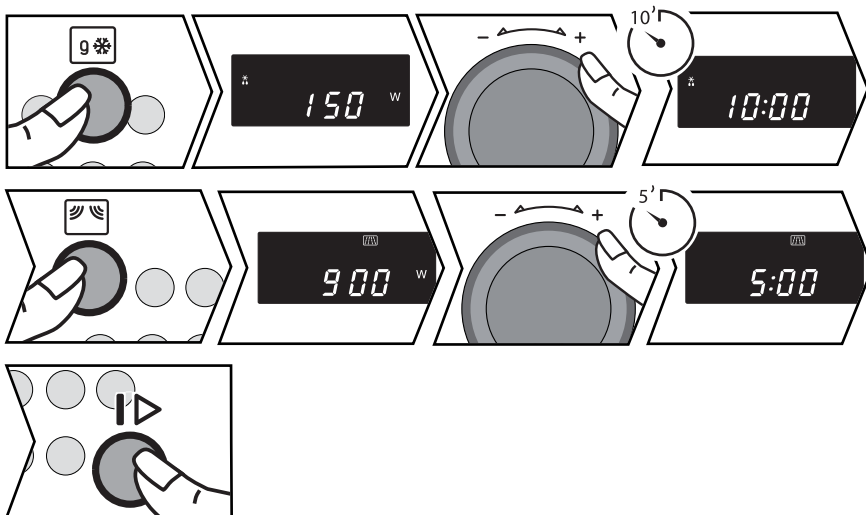




4.3



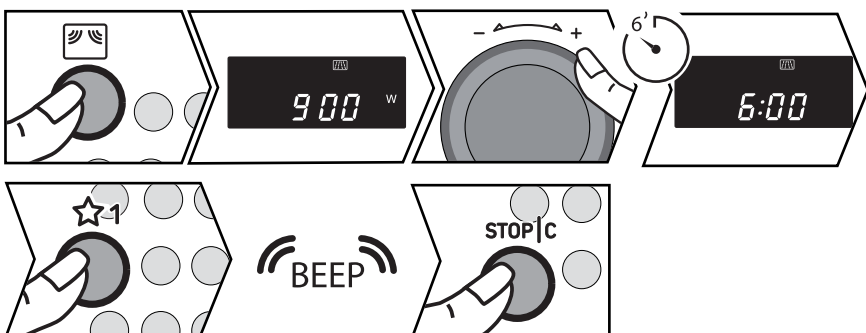
4.4



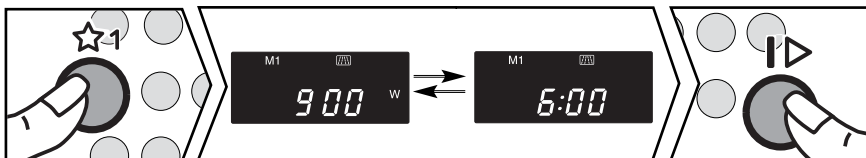
5



5.1



5.2



Dear Customer,

You have just acquired a **BRANDT** product and we would like to thank you.

We have designed and made this product with you, your lifestyle and your requirements in mind so that it meets your expectations. We have devoted our know-how, our innovative spirit and the passion that has been guiding us for over 60 years.

In an effort to ensure that our products meet your requirements in the best possible way, our Customer Relations department is at your disposal, to answer all your questions and to listen to all your suggestions.

Visit our website [www.brandt.com](http://www.brandt.com) where you will find our latest innovations, as well as useful and complementary information.

**BRANDT** is delighted to assist you every day and hopes you get the most out of your purchase.



**Important: Before using your appliance, please read this user guide carefully to familiarise yourself more quickly with its operation.**

## **Safety instructions**

Centre the oven in the cabinet to ensure a minimum distance of 10mm with adjacent cabinets. The material or coating of the cabinet must be heat-resistant. For greater stability, attach the oven in the cabinet with two screws through the holes provided for this purpose.

This appliance must be installed more than 850 mm from the floor. This appliance may be installed under a worktop as shown in the installation diagram.

## 1



## Installation

## 1.1 UNPACKING

When you receive the appliance, unpack it or have it unpacked immediately. Check its general appearance. Make a note of any reservations on the delivery slip and keep a copy. Remove all the protection elements. Check and respect the appliance's characteristics that appear on the nameplate.

## 1.2 CHOICE OF LOCATION AND BUILDING IN

This appliance must be installed under a worktop as shown in the installation diagram.

Do not use your appliance immediately (wait approximately 1 to 2 hours) after moving it from a cold location to a hot location, as the condensation may cause a malfunction.

Centre the oven in the unit so as to ensure a minimum distance of 10 mm between the appliance and the surrounding unit. The material of the unit supporting the appliance must be heat resistant (or covered with a heat-resistant material).

For greater stability, attach the oven in the cabinet with two screws through the holes provided for this purpose.

## 1.3 ELECTRICAL CONNECTION

**Caution:**

**Installation should only be performed by installers and qualified technicians.**

The appliance must be recess-fitted correctly to ensure electrical safety. The electrical connections are made before the appliance is installed in its housing.

Ensure that:

- the electrical installation has sufficient voltage (10 Amps),

If the electrical installation in your residence requires any changes in order to hook up your appliance, call upon a professional electrician.

During maintenance operations, the appliance must

be unplugged from the electrical grid; fuses must be switched off or removed.

**Warning:**

**The safety wire (green-yellow) is connected to the appliance's terminal and must be connected to the installation's earth.**

**If the oven malfunctions in any way, unplug the appliance or remove the fuse corresponding to the sector where the oven is hooked up.**

**Warning:**

**We cannot accept liability for any accident or incident resulting from non-existent, defective or incorrect grounding.**

## 2



## Presentation

## 2.1 ACCESSORIES

**Turntable**

The turntable ensures equal cooking of food throughout with no need to intervene.

It rotates in both directions. If it does not turn, verify that all components are properly positioned.

It may be used as a cooking dish. For easy removal, wells are provided on either side.

Rotation is controlled by the drive shaft and the wheel support.

If you take out the support with the drive spindle, make sure you do not let water get into the motor spindle orifice.

Remember to put back the support, the support wheels and the glass turntable.

Do not try to rotate the glass turntable manually, as you could damage the drive system. If it does not turn smoothly, make sure that there is nothing in the well beneath the turntable.

When the turntable is in the stop position, large dishes can be used which cover the entire surface of the oven. In this case, it is necessary to turn the container or to mix its content half-way through the programme.

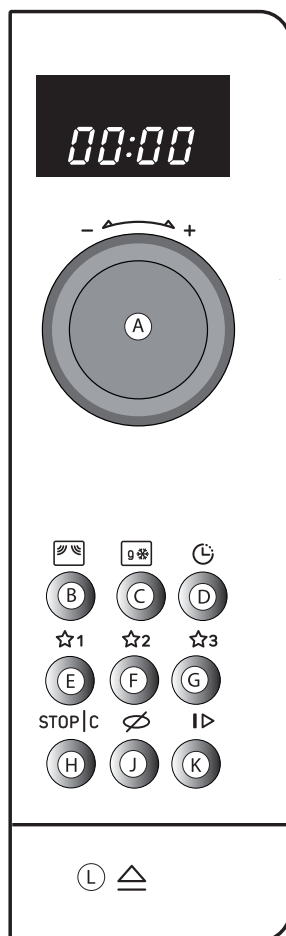
## 2.2 DISPLAY (SYMBOLS)

- ①: Stopping the turntable.
- ②: Defrosting.
- ③: Clock.
- ④: Memory 1.
- ⑤: Memory 2.
- ⑥: Memory 3.
- ⑦: Cooking.
- ⑧: Displays the unit of power (in watts).
- ⑨: Displays the cooking time, power or clock.



## 2.3 CONTROL PANEL

- (A) Rotary selector (+ or -):**  
To programme the length and the time.
- (B) The microwave key:**  
Sets the desired microwave power (250W-350W-500W-700W-900W).
- (C) Defrost key:**  
To access the defrosting function (150W).
- (D) The clock key:**  
Sets the time on the clock.
- (E)-(F)-(G) Memory Keys:**  
To memorise and remember cooking programmes.
- (H) Stop key:**  
To pause or cancel a programme in progress (press once to PAUSE, twice to CANCEL).
- (J) The turntable stop key:**  
To stop the turntable and start it again.
- (K) Start key:**  
Starts any programme.
- (L) Oven door open key.**



## 3



## Setting the clock

## 3.1 SETTING

When switching on or after a power cut, the display flashes 00:00.

- Set the clock by turning the selector.
- Confirm by pressing the clock key.

If you do not confirm, it will be saved automatically after a few seconds.

## 3.2 CHANGING THE TIME

-Press the clock key.

The time flashes. Follow the instructions for setting. Your microwave oven is now plugged in and the clock is set.

## 4



## Cooking operations

**MICROWAVE OPERATION PRINCIPLE**

The microwaves used for cooking are electromagnetic waves. They are commonly found in our environment in the form of radio waves, light and infrared rays.

Their frequency is in the 2450 MHz range.

Their behaviour:

- They are reflected by metals.
- They travel through all other materials.
- They are absorbed by water, fat and sugar molecules.

When food is exposed to microwaves its molecules begin moving rapidly, causing it to heat up.

The penetration depth of waves into the food is approximately 2.5 cm; if the food is thicker, the centre of the food will be cooked by conduction, as in conventional cooking.

Note that microwaves cause a simple thermal phenomenon within food and are not harmful to health.

## 4.1 MICROWAVE FAST COOKING

Select at cooking time by turning the selector.

The maximum 900W power (high power) is directly programmed. The cooking symbol appears in the display.

- Press the start key to start cooking.

When the appliance stops, three beeps indicate the end of the programme and continue until you open the door opens or press one of the keys.

If the dish is too large to turn correctly inside the oven, press the stop turntable key to deactivate the turntable before or during the programme.

If there is an error in the programming, press the stop key twice to stop cooking.

## 4.2 MICROWAVE COOKING

Choose your function (cooking power):

- Press successively on the microwave key until you get the one you want (e.g.: press twice = 700 W reheating).

- Turn the selector (e.g.: 2 minutes) to programme the cooking time.

- Press the start key to start cooking.

**Five cooking functions are available:**HIGH POWER at 900W

To cook vegetables and soup. To heat up all liquids.

REHEATING at 700W

To reheat all liquid or solid foods, as well as chilled or frozen ready meals.

SIMMERING at 500W

To cook fish and poultry.

To finish programmes begun with the HIGH COOK power setting such as beans, lentils or milk-based dishes.

LOW POWER at 350W

To finish programmes begun with the HIGH COOK power setting which might otherwise overcook on the outside, for instance veal or pork roast.

### VERY LOW POWER at 250W

To top off cooking of delicate dishes or to cook very slowly.

## 4.3 DEFROSTING AT 150W

This function is used to defrost all foods, finish off delicate cooking programmes or to cook very slowly.

- Press the defrost key.
- Then programme the defrosting time by turning the selector.
- Press the start key to start defrosting.

## 4.4 LINKED PROGRAMMES

You can link two programmes with the functions:

### **Microwaves and Defrosting.**

*e.g.: Link a 10-minute defrosting programme followed by a 5-minute fast microwave cooking programme.*

First, programme the defrosting programme by pressing once on the defrost key. The relevant symbol is shown.

Set the defrosting time to 10 minutes by turning the selector, then programme the high power by pressing several times on the microwave key until the relevant symbol is shown.

Then turn the selector to the total programming time, i.e. **15 minutes** (the high power minutes are added to the first defrosting minutes to display the total time).

Press the start key to start linked cooking.

# 5



## Specific functions

### MEMORY KEYS

#### Memory keys 1 - 2 - 3

The memory functions allow you to store three frequently used programmes which you can then access simply by pressing the memory keys.

You may memorize any programme you wish.

## 5.1 MEMORISE A PROGRAMME

Programme as for an immediate start:

- Press the microwave key to choose, for example, FAST COOKING (900W).
- Programme the time, e.g. 2 minutes with the selector.
- Instead of pressing the start key, press one of the memory keys, for example: ☆1

A beep sounds to confirm that your custom programme has been saved.

You may memorise two more programmes by pressing the memory keys 2 and 3.

To **cancel a programme**, re-programme over a memory which is already used, the earlier one will be deleted.

## 5.2 TO START A SAVED PROGRAMME

- Press the memory key 1, 2 or 3; example ☆1 the pre-programmed information is displayed.
- Press the start key to start the programme.

## 5.3 TURNTABLE STOP KEY

If the dish is too large can not turn inside the oven, press the stop turntable key before or during the programme.

The relevant symbol is shown in the display. Your table stops turning.

To activate the turntable function again, press the stop turntable key.

## RECOMMENDATIONS

### During the programme:

- To modify the choice of function or food, press twice on the stop key and re-start programming.
- If you open the door before the end of the programme, shut the door and press the start key to continue the programme.
- In the Defrost function, turn the food over half-way through cooking for a better result. Close the door and press the start key to restart the oven.
- If you remove a dish before the end of the programme, press the stop key twice to erase the programme.

## 6



## Cleaning

### CLEANING THE INNER AND OUTER SURFACES

The use of abrasive products, alcohol or thinners is not recommended as they are likely to damage the appliance.

Use a damp sponge and a little soap.

If the oven smells bad or is dirty, boil a cup of water with lemon juice or vinegar for 2 minutes in your microwave and then clean the walls with a small amount of washing up liquid.

The turntable can be removed for easy cleaning. To remove it, pick it up using the access zones provided for this purpose. If you take out the support with the drive spindle, make sure you do not let water get into the motor spindle orifice.

Remember to put back the support, the support wheels and the turntable.

## 7



## Anomalies & solutions

You may resolve certain little problems yourself:

**- The appliance is noisy. The turntable does not rotate properly.**

Clean the wheels and the rolling area under the turntable.

Ensure that the wheels are properly positioned.

**- You see steam on the window.** Wipe away the condensation with a cloth.

**- There are sparks coming from the appliance.** Clean the appliance properly: get rid of grease, cooking particles, etc. Remove any metal items from the walls of the oven.

## 8



## Environment

### CARE FOR THE ENVIRONMENT

The packaging of this appliance can be recycled. Help to recycle them and protect the environment by placing them in the municipal containers provided for this purpose

Your appliance also contains many recyclable materials. It therefore is marked with this symbol to indicate that old appliances must not be mixed with other waste.



The appliance recycling organised by your manufacturer will therefore be conducted in optimum conditions, in accordance with European directive 2002/96/EC on electrical and electronic equipment waste.

Contact your town hall or retailer for the used appliance collection points closest to your home. Thank you for helping to protect the environment.

### ORIGINAL PARTS

During maintenance work, request that only certified genuine replacement parts are used.

